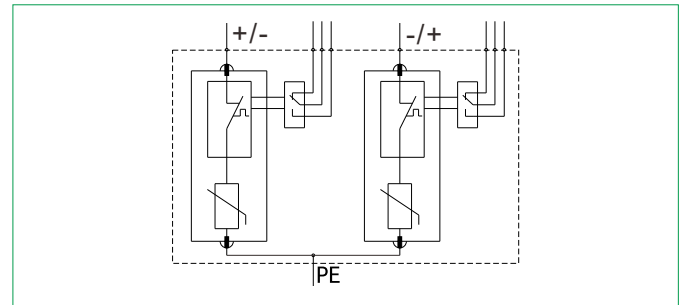
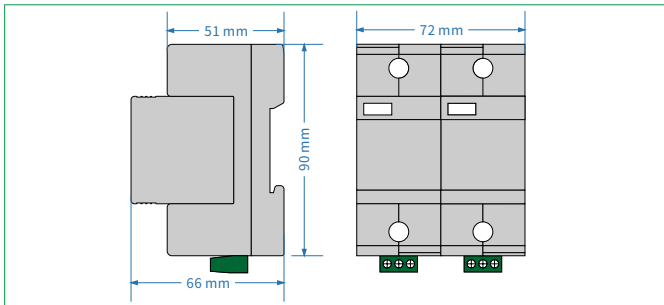


# FV30B+C/2 -\*\*\*PV (S)



- ◆ DC surge protective device used for photovoltaic system .
- ◆ The core parts are metal oxide vristor components with high discharge capacity.
- ◆ With Reliable control thanks to Thermo Dynamic Control disconnecter.
- ◆ Remote signaling contact for control device.
- ◆ Fault indication via red mark in the inspection window.
- ◆ 2 poles, Y type.



Model No.	FV30B+C/2-500PV (S)	FV30B+C/2-600PV (S)	FV30B+C/2-800PV (S)	FV30B+C/2-1000PV (S)
Test class IEC/EN/VDE	Class I+II/B+C/ T1 T2			
Type of Network	Photovoltaic system			
Protection Mode	+/- — PE 、 -/+ — PE			
Nominal voltage 50(60)Hz U <sub>n</sub>	500V dc	600V dc	800V dc	1000V dc
Rated Voltage (Max. Cont. Operating Voltage) U <sub>CPV</sub>	560V dc	670V dc	825V dc	1060V dc
Max. discharge current (8/20μs) I <sub>max</sub>	60kA			
Nominal discharge current (8/20μs) I <sub>n</sub>	30kA			
Impulse current (10/350μs) I <sub>imp</sub>	7kA			
Voltage protective level U <sub>p</sub>	≤2.0kV	≤3.0kV	≤3.6kV	≤4.0kV
Response time t <sub>a</sub>	≤25ns			
Recommended back-up fuse	160A			
Isolation resistance	>10 <sup>2</sup> MΩ			
I/O Connections	Multi core wire: 6mm <sup>2</sup> ~35mm <sup>2</sup> , Single core wire: 4mm <sup>2</sup> ~35mm <sup>2</sup>			
Mounting	35mm Symmetrical rail (EN50022/DIN46277-3)			
Operation temperature range / humidity / altitude	-40°C~+80°C / 30%~90% / 3000m			
Degree of protection	IP20			
Housing material	UL94 V-0			
Disconnection indicator	Mechanical indicator (Green: OK, Red: replace)			
Remote control contact	Optional			

Port definition of remote control contact	Range of signal access		Recommended wire specification	
	AC	U <sub>max</sub> ≤ 250V	Single core wire	Max ≤ 1.5mm <sup>2</sup>
		I <sub>max</sub> ≤ 0.5A		
	DC	U <sub>max</sub> ≤ 60V	Multi core wire	Max ≤ 1.3mm <sup>2</sup>
		I <sub>max</sub> ≤ 0.1A		

Remark: if the model number is without "S", the model is without remote control contact function